



with Timon and Pumbaa:
SAFETY SMART[®]
Online!

Safety Smart[®] is an initiative aimed at improving the awareness and understanding of children ages 4-14 in safety and in managing themselves and their surroundings as safely as possible—by conscious action, not chance. Toward that end, UL produces multimedia public service announcements; arranges for Safety Smart Ambassador visits for children to learn from professional safety experts; hosts field trips to its laboratories where children see safety engineers at work and participate in their own hands-on safety experiments; regularly advocates on emerging safety issues, especially regarding products that may pose a risk to consumers; and supports the development of its youth safety education programs. Through its efforts, Safety Smart cultivates awareness, provides opportunities for children to learn and practice safe, healthy and environmentally friendly behaviors, and helps children learn to make more informed choices today and in the future.

Do your part! Be **Safety Smart[®]**!



Dear Parents:

What does it mean to be connected to the Internet? Why isn't it safe to give out personal information online? What should you do if someone sends you a text message or an email that makes you feel uncomfortable? How long does information stay online?

As a parent, you do your best to give your children as many advantages as possible. Right now, you can do one simple thing to give your children an advantage for life: teach them the importance of being safe and careful online!

The **Safety Smart[®] Online!** DVD shares vital tips, advice and engaging activities. Spend some time with your children working on the fun take-home sheets. Together, you can help kids learn about being Safety Smart online!

Look what you can learn together:

- What it means to go online, be connected to the Internet, or to get onto the World Wide Web
- The importance of never sharing personal information online, especially with strangers
- How to create a safe screen name and password
- What to do if someone is bullying you online
- And much more!

You may have the opportunity to share safety messages from the **Safety Smart[®] Online!** DVD with a group of children. For guidance, see the Safety Smart Ambassador's Guide located on the DVD. To access it:

1. Insert the DVD into your computer's DVD-ROM drive
2. Macintosh users, double-click the DVD icon on your desktop
3. PC users, right-click on the DVD icon and select "open"
4. Open the ROM folder
5. Click on the Index. HTML file
6. Click on the Safety Ambassador's Guide

DO YOUR PART! BE SAFETY SMART[®]! • VISIT WWW.ULSAFETYSMART.COM



with Timon and Pumbaa:
SAFETY SMART
Online!

TRY THIS AT HOME!

The **Safety Smart Online!** DVD puts educational family fun right at your fingertips. Use the provided worksheets and the suggested activities to get your whole family thinking about online safety!

- Get the crayons for the **Coloring Page** and turn your little one into a pint-sized Disney animator!
- Get the pencils sharpened and ready for Timon and Pumbaa's **Protective Passwords** and **Online Safety Tips** worksheets.
- Help children recall the lessons they learned on the DVD by deciding what's going on in each picture with the **Is It Safety Smart?** worksheet.
- Hang **Timon and Pumbaa's Safety Smart Checklist** next to the computer and encourage children to check-off each activity as they complete it. For weekly reminders, print out a new checklist!
- Have fun searching out words with the **Online Safety Word Search** worksheet.
- Challenge the children to a race – who can crack the **Maze Craze** code first?
- Do the children really know what to do if they receive a text or email that makes them uncomfortable? Have the entire family perform a **"No Bullying Allowed"** skit to reinforce the lesson that if they or their friends are bullied online, they should seek help from a trusted adult.

Materials Needed:

- 2 electronic devices that can be connected to the Internet and/or receive texts (smart phone, tablet, laptop, etc.) If there are no electronic devices available, just draw two devices on a piece of paper, cut them out, and use them as props.

1. Assign the following parts to three members of the family: Bully, Bully's Target, Trusted Adult.
2. Have the Bully act out sending a mean email or text message to the Bully's Target.
3. Have the Bully's Target act out feeling uncomfortable, embarrassed or scared about the Bully's email/message.
4. Have the Bully's Target show the Bully's email/message to the Trusted Adult.
5. Have the Trusted Adult help the Bully's Target deal with the Bully.
6. Feel free to have everyone take turns playing the various roles and/or include other roles, such as friends, teachers, etc.
7. Finally, have the children reflect on what they have learned from the activity. Here are some questions you might want to ask:
 - Is it ever okay to send a mean email or text message to another person?
 - What is it called when someone sends a mean email or a text message to another person?
 - What should you do if you receive an email or text message that makes you feel uncomfortable, embarrassed or scared?

DO YOUR PART! BE SAFETY SMART®! • VISIT WWW.ULSAFETYSMART.COM



with **Timon and Pumbaa:**
SAFETY SMART
Online!

- Have a family **sing along with Timon and Pumbaa**. On the DVD scene selection menu, choose the “Sing Along” option.
- Spend some “smart” time preparing for the next time you go online together – have your children help you review the **Safety Smart Checklist** and help you remember to update any passwords that are not Safety Smart!
- Whenever you go online together, start by singing the **Safety Smart Online Jingle**:

*Careful what you do and say,
Nothing ever goes away!*

- Award your children with their very own Safety Smart Certificate. Encourage them to hang it up so everyone can see that they are now Safety Smart Online!
- For more safety fun, check out the www.ulsafetysmart.com website with your children. Designed from a child’s point of view, this e-community site is full of interactive games, the latest in educational safety news, and allows children to post their own videos and photos. As part of UL’s Safety Smart Club, children can become Safety Wizards by pledging to help protect their friends and family by teaching them how to be safe and careful online.

Being Safety Smart Online was never so much fun!



DO YOUR PART! BE SAFETY SMART®! • VISIT WWW.ULSAFETYSMART.COM



with Timon and Pumbaa:
SAFETY SMART
Online!

COLORING PAGE

SAFETY SMART[®]





with Timon and Pumbaa:
SAFETY SMART
Online!

PROTECTIVE PASSWORDS

A password is a series of letters and numbers that you enter to gain access to a computer account (just like the passwords you may have on tablets, cell phones, and computer games). It's important to have a password you easily remember. But it's also important to have a strong password—that's a password that would be difficult for someone to figure out, even your closest friends! A strong password can help prevent strangers from getting into your account. Have fun with this!

Follow these directions to make a strong password.

1. Think of two nouns that don't usually go together. You might think of nouns that are related to your own likes and dislikes. For example, if you like rabbits and chocolate, your two nouns could be *bunny* and *candy*. Write your two nouns here:

Noun 1:	Noun 2:

2. Think of a number that means something to you; for example, you might think of how many pets you have or would like to have.

Circle one of these numerals:

0 1 2 3 4 5 6 7 8 9

3. Enter your password here:

Noun 1	Circled numeral	Noun 2

Congratulations! You made a strong and memorable password!

Share your password only with your family—no one else! Now that's Safety Smart®!





with Timon and Pumbaa:
SAFETY SMART
Online!

TIMON AND PUMBAA'S ONLINE SAFETY TIPS

Timon and Pumbaa learned a lot about how to be safe online. Fill in the blanks using the words in the box. Use each word only once.

adult	bullying	post
information	see	computer



1. Information you post online may not stay private; many people might be able to _____ it.

2. Personal _____ includes your name, address, city, and phone number.

3. Tell an _____ if you receive a message online that makes you uncomfortable.

4. Everything you _____ online stays in cyberspace forever.

5. You can use a _____ to send and receive information online.

6. Sending a mean message or posting an embarrassing picture or video online is _____.



with Timon and Pumbaa:
SAFETY SMART
Online!

IS IT SAFETY SMART®?

What is happening in each picture? Decide if it's Safety Smart® or not.



Safety Smart®? YES NO



Safety Smart®? YES NO



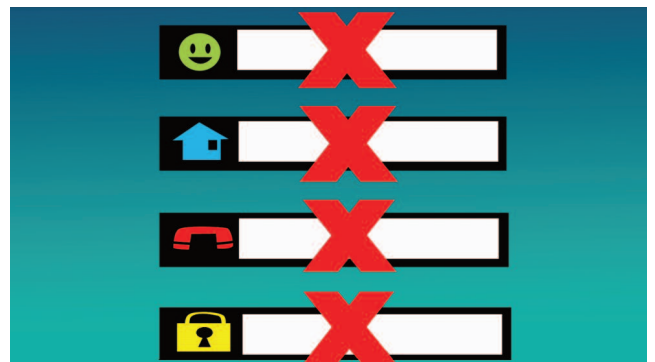
Safety Smart®? YES NO



Safety Smart®? YES NO



Safety Smart®? YES NO



Safety Smart®? YES NO



with Timon and Pumbaa:
SAFETY SMART
Online!

TIMON AND PUMBAA'S SAFETY SMART® CHECKLIST

What have you learned about being Safety Smart® online? Check the rules that you will follow at school, home and at play. Complete this checklist to get your certificate!

Do I make sure that I...?	YES
Know that personal information includes my name, address, the city I live in, and phone number?	
Keep my personal information private?	
Am careful about what I post online?	
Know that anything I post online will stay online forever?	
Know that sending mean messages online is bullying?	
Know that posting embarrassing pictures online is bullying?	
Don't send mean messages online?	
Don't post embarrassing pictures online?	
Tell an adult if I receive a message online that makes me uncomfortable?	
Know that it is not safe to get together with someone I meet online?	
Am Safety Smart® online!	



with Timon and Pumbaa:
SAFETY SMART
Online!

ONLINE SAFETY WORD SEARCH

Find and circle all the online safety words. Then use each word in a sentence.

O	C	Y	B	E	R	S	P	A	C	E
N	P	I	O	P	O	S	I	O	X	P
L	A	N	N	P	A	S	S	W	T	R
I	S	F	L	O	N	L	I	P	E	I
N	S	T	I	S	Y	S	D	R	X	V
E	L	E	C	T	R	O	N	I	C	A
S	F	X	D	B	F	E	R	V	I	O
P	A	S	S	W	O	R	D	A	N	N
K	L	U	Y	X	F	I	O	T	G	L
T	M	T	E	X	T	B	I	E	B	I
I	N	F	O	R	M	A	T	I	O	N
C	O	C	O	M	P	U	T	E	R	M



Words

text post cyberspace information private computer password online

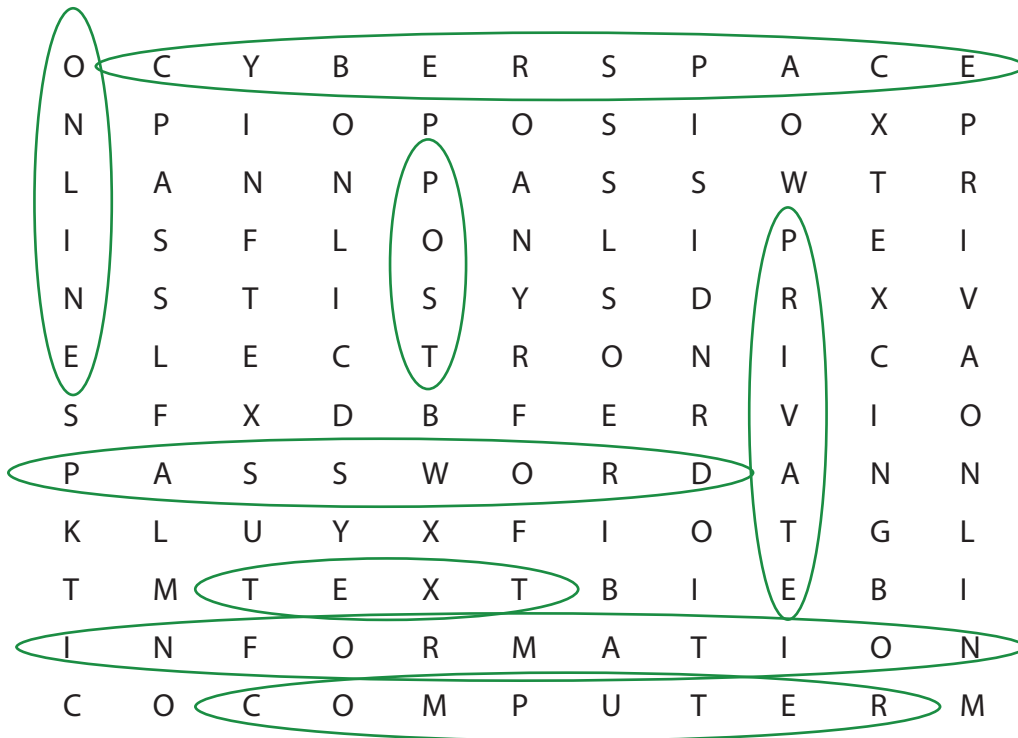
Use each word in a sentence...

1. _____
2. _____
3. _____
4. _____
5. _____
6. _____
7. _____
8. _____



with Timon and Pumbaa:
SAFETY SMART
Online!

ONLINE SAFETY WORD SEARCH ANSWER KEY



text

cyberspace

private

password

post

information

computer

online



with Timon and Pumbaa:
SAFETY SMART
Online!

MAZE CRAZE

Timon just received a message from a stranger he met online. The message made Timon feel uncomfortable! What should he do? Follow the letters in the maze to create a sentence that will help Timon remember what to do next.



S	T	U	O	B	A	T	L	Z
L	T	S	Q	Y	R	L	U	H
I	H	E	M	E	S	S	D	S
T	I	O	P	D	L	A	A	K
O	M	R				G	D	E
N	S	H				E	R	T
O	U	O				!	Y	S
W	L	D				D	L	A
X	T	T	E	L	N	M	P	A

T _____

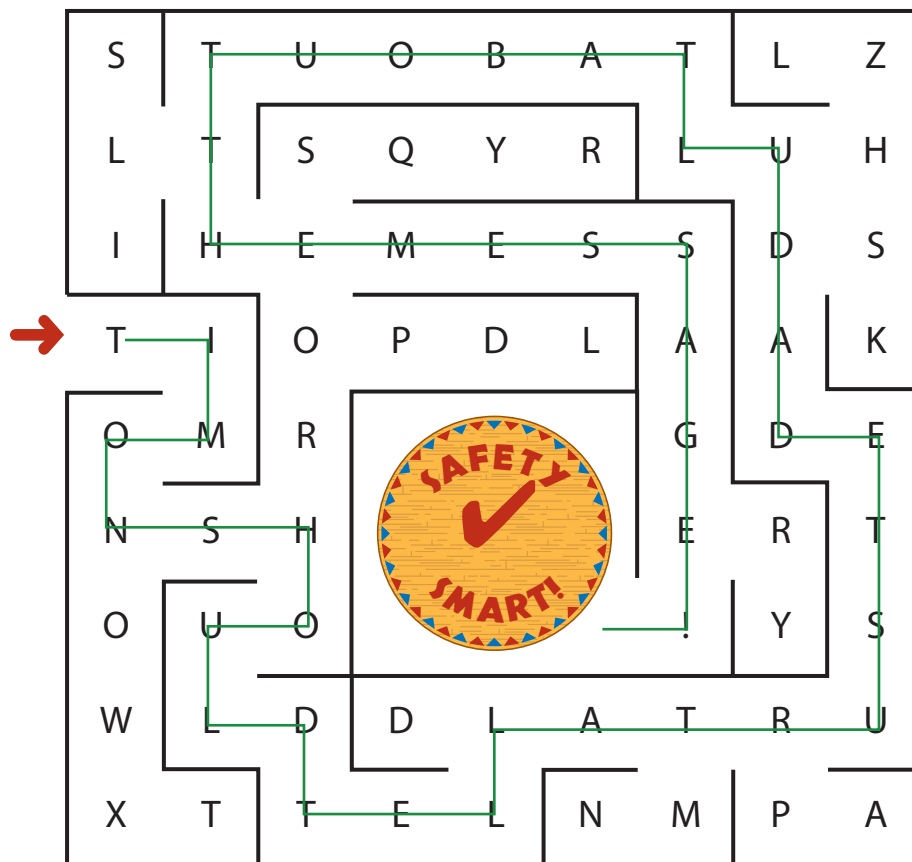
A _____

_____ !



with Timon and Pumbaa:
SAFETY SMART
Online!

MAZE CRAZE ANSWER KEY



T I M O N S H O U L D T E L L

A T R U S T E D A D U L T

A B O U T T H E M E S S A G E !

Disney's
WILD ABOUT SAFETY[®]

TIMON AND PUMBAU



SAFETY SMART[®]

CERTIFICATE OF COMPLETION

Awarded To:

Safety Smart[®] Online!

DATE: _____